

BWP ECO WEATHERPROOF BATTEN

PRODUCT DETAILS:

- Size: 2ft/600mm, 4ft/1200mm, 5ft/1500mm
- Rated life: L70 30000hrs
- LED: CCT 4000K/6500K, CRI>80
- Driver: Integral, Non-Dim
- Rating: IP65, IK08, Class I
- Operating temperature: -10°C to +40°C
- Housing: Polycarbonate, Durable foam seal, Clip-In aluminium gear tray with safety lanyards,
- Finishing: Grey
- Diffuser: Polycarbonate, Frosted, Prismatic
- Accessory: Complete with 304 stainless steel Clips, Surface mount brackets, Suspension hooks
- Warranty: 5 year

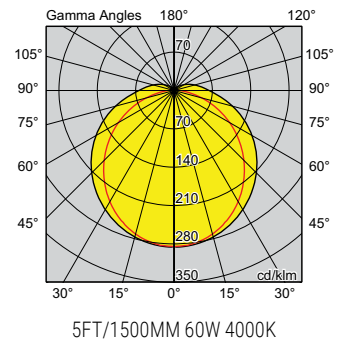
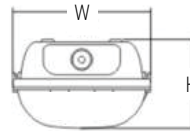
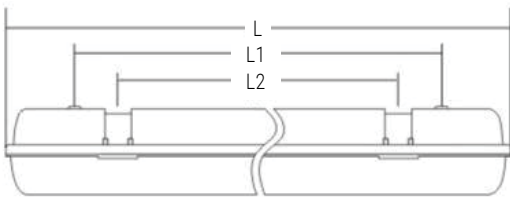


MADE TO ORDER OPTIONS:

DALI/PUSH/1-10V dimming, Emergency, CRI>90

APPLICATIONS:

Surface mount, Suspended, Internal, External
Carparks, Light commercial spaces, Wash bays, Covered security applications, Cold storage, Refrigerated warehouse, Food processing, Food grading & inspection



VERSION	L (MM)	L1 (MM)	L2 (MM)	W (MM)	H (MM)
2FT/600MM	655	530	420	130	92
4FT/1200MM	1265	1010	900	130	92
5FT/1500MM	1565	1110	1000	130	92

CODE	DESCRIPTION	POWER [~]	LUMENS [*]	EFFICACY	WEIGHT
BWPECO202E4	2FT/600MM 20W 4000K CRI>80 NON-DIM	20W	2074lm	104lm/W	1.0kg
BWPECO454E4	4FT/1200MM 45W 4000K CRI>80 NON-DIM	45W	4585lm	102lm/W	1.9kg
BWPECO454E6	4FT/1200MM 45W 6500K CRI>80 NON-DIM	45W	4585lm [^]	102lm/W [^]	1.9kg
BWPECO605E4	5FT/1500MM 60W 4000K CRI>80 NON-DIM	60W	5914lm	99lm/W	2.4kg
BWPECO605E6	5FT/1500MM 60W 6500K CRI>80 NON-DIM	60W	5914lm [^]	99lm/W [^]	2.4kg
BWPECO605E960	5FT/1500MM 60W 6500K CRI>90 NON-DIM	60W	5322lm [^]	89lm/W [^]	2.4kg

*Delivered lumens from luminaire, including thermal, electrical and optic losses. [~]Tested system powers from luminaire.

[^]Figures are interpolated / extrapolated from data at other versions.