

**INSTALLATION / WARRANTY INSTRUCTIONS**

24 May 2021

<b>PRODUCT BRAND</b>	PIERLITE
<b>PRODUCT NAME</b>	BWP & BWA ECO WEATHERPROOF BATTEN GEN2
<b>CODES</b>	BWPECO202G2, BWPECO404G2, BWPECO505G2, BWPECO505G290 BWAECO202G2, BWAECO404G2, BWAECO505G2

**PLEASE READ THESE INSTALLATION INSTRUCTIONS CAREFULLY BEFORE INSTALLING OR MAINTAINING THIS EQUIPMENT. THE PRODUCT IS DESIGNED FOR INSTALLATION AND MAINTENANCE IN ACCORDANCE WITH RELEVANT STANDARDS (AS/NZS 3000) AND LOCAL REGULATIONS (WHERE APPLICABLE), BY AN AUTHORISED AND LICENCED ELECTRICIAN.** THE INSTALLATION INSTRUCTIONS WERE CORRECT AT THE TIME OF PRINT. TO REFLECT CHANGES IN TECHNOLOGY AND STANDARDS; GLG RESERVES THE RIGHT TO AMEND THE INSTRUCTIONS WITHOUT NOTICE. UPDATED GUIDELINES CAN BE FOUND ON THE RELEVANT BRAND WEB SITE.

**IMPORTANT** - THE PRODUCT MUST BE MAINTAINED AND OPERATED IN ACCORDANCE WITH THE MANUFACTURER'S INSTRUCTIONS, FAILURE TO DO SO MAY DAMAGE THE PRODUCT AND SERVICES. IT IS STRONGLY RECOMMENDED THAT THIS IMPORTANT NOTE BE COMMUNICATED TO THE OWNER AND OR OPERATOR OF THE INSTALLATION AT THE TIME OF SITE COMMISSIONING. GOOD PRACTICE DOES NOT RECOMMEND THE 24/7 USE OF PRODUCTS WITHOUT THE APPLICATION OF SUITABLE SWITCH CYCLE INTERVALS. FURTHERMORE, WITH THE OMISSION OF NOMINATED SURVIVAL CURVES AND OR RECOMMENDED OPERATING HOURS, PRODUCT DESIGN EXPECTATIONS PROVIDE FOR A CONTINUAL DAILY USAGE OF 6 HOURS FOR RESIDENTIAL APPLICATIONS AND A CONTINUAL DAILY USAGE OF 12 HOURS FOR COMMERCIAL AND INDUSTRIAL APPLICATIONS. ALL PRODUCTS MUST BE THOROUGHLY CLEANED ON A REGULAR BASIS AT INTERVALS THAT REFLECT IN THE INSTALLATION ENVIRONMENT, ENSURING THE OPTICAL PERFORMANCE, TOGETHER WITH THE ELECTRICAL, MECHANICAL AND STRUCTURAL INTEGRITY AS DESIGNED, IS MAINTAINED THROUGHOUT THE SERVICE LIFE OF THE PRODUCT.



**1. PRODUCT SPECIFICATION:**

Product brand	- Pierlite
Type of Protection	- Class I
IP Rating - for interior products, the IP rating nominated is "from below the ceiling" unless specifically nominated.	- IP65

Luminaire Specification:

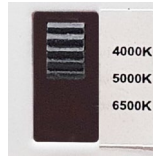
Product Code	Maximum Circuit Wattage (W)	Nominal Voltage	Line Current (A)	In-rush Current (A)	Net Weight of luminaire
BWPECO202G2 BWAECO202G2	19W	220-240V	0.085	10.2	1kg
BWPECO404G2 BWAECO404G2	41W/33W/27W/20W	220-240V	Please refer to details on next page		1.9kg
BWPECO505G2 BWAECO505G2 BWPECO505G290	56W/44W/37W/27W	100-240V	Please refer to details on next page		2.7kg

Important – when installing electronic or HID lighting equipment, the installer must consider the in-rush start current (if any) as documented on the control gear identification label when selecting appropriate circuit controls or protective devices.

Power factor	- >0.90
Nominal Freq. (Hz)	- 50/60Hz
Rated Maximum Ambient Temperature	- 40°C
Suitable for direct mounting on flammable surfaces	- NO
Dimmable (if relevant refer brand web for approved list)	- NO
IK Rating	- IK08
Installation orientation	- Surface mount (horizontal)
Designed application	- Industrial Interior and Exterior*
Rated average design life	- 54,000 hours (to L70)

**\*For accessible installations, application of the security screws must be employed.**

For colour select, the dip switch located on the gear tray allows the change of colour temperature. Please refer to colour temperature label on the gear tray.



For lumen/power select, the dip switch located on the gear tray allows the change of lumen/power output. Factory settings could be altered accordingly by adjusting the DIP switches on the driver. Please refer to lumen/power select label on the gear tray.



CODE	CCT	POWER (W)	LUMENS (lm)	LINE CURRENT	INRUSH CURRENT	DRIVER SETTING
BWPECO202G2 BWAECO202G2	4000K	19W	2239lm	0.085A	10.2A/152µs	N/A
	5000K	19W	2351lm	0.085A	10.2A/152µs	N/A
	6500K	19W	2118lm	0.085A	10.2A/152µs	N/A
BWPECO404G2 BWAECO404G2	4000K	20W	2698lm	0.091A	11.3A/204µs	150mA
		27W	3627lm	0.118A	12.5A/204µs	200mA
		33W	4175lm	0.140A	12.4A/204µs	250mA
		41W	4972lm	0.182A	12.3A/216µs	300mA
	5000K	20W	2761lm	0.091A	11.3A/204µs	150mA
		27W	3773lm	0.118A	12.5A/204µs	200mA
		33W	4404lm	0.140A	12.4A/204µs	250mA
		41W	5289lm	0.182A	12.3A/216µs	300mA
	6500K	20W	2590lm	0.091A	11.3A/204µs	150mA
		27W	3442lm	0.118A	12.5A/204µs	200mA
		33W	3960lm	0.140A	12.4A/204µs	250mA
		41W	4638lm	0.182A	12.3A/216µs	300mA
BWPECO505G2 BWAECO505G2	4000K	27W	3410lm	0.138A	13.1A/260µs	230mA
		37W	4556lm	0.180A	13.1A/260µs	320mA
		44W	5296lm	0.207A	13.1A/260µs	380mA
		56W	6327lm	0.251A	13.1A/260µs	460mA
	5000K	27W	3620lm	0.138A	13.1A/260µs	230mA
		37W	4883lm	0.180A	13.1A/260µs	320mA
		44W	5721lm	0.207A	13.1A/260µs	380mA
		56W	6879lm	0.251A	13.1A/260µs	460mA
	6500K	27W	3564lm	0.138A	13.1A/260µs	230mA
		37W	4710lm	0.180A	13.1A/260µs	320mA
		44W	5427lm	0.207A	13.1A/260µs	380mA
		56W	6417lm	0.251A	13.1A/260µs	460mA
BWPECO505G290	4000K	27W	3370lm	0.138A	13.1A/260µs	230mA
		37W	4520lm	0.180A	13.1A/260µs	320mA
		44W	5278lm	0.207A	13.1A/260µs	380mA
		56W	6265lm	0.251A	13.1A/260µs	460mA
	5000K	27W	3468lm	0.138A	13.1A/260µs	230mA
		37W	4716lm	0.180A	13.1A/260µs	320mA
		44W	5563lm	0.207A	13.1A/260µs	380mA
		56W	6611lm	0.251A	13.1A/260µs	460mA
	6500K	27W	3369lm	0.138A	13.1A/260µs	230mA
		37W	4524lm	0.180A	13.1A/260µs	320mA
		44W	5263lm	0.207A	13.1A/260µs	380mA
		56W	6226lm	0.251A	13.1A/260µs	460mA

**2. APPROVALS:** The RCM marking of this product applies to AS/NZS CISPR15 (EMC) "Limits and methods of measurement of radio disturbance characteristics of electrical lighting and similar equipment". This product is designed to conform to AS/NZS 60598 "Luminaires, general requirements and tests".



**3. STORAGE:** Prior to installation products are to be stored in cool and dry conditions.

**4. APPLICATION:** The installation application and orientation of the product is designed in accordance with the nominated product IP rating, class designation and these installation instructions. Installation environments and operating conditions beyond these instructions are not recommended.

**5. INSTALLATION / GENERAL:** Installation of the product is to be completed by an authorized and licensed electrician, in accordance with these instructions, relevant standards and local regulations (where applicable). Termination of product wiring, together with the installation of the product must be in a manner and orientation that maintains the integrity of the designated IP rating of the product For electronic control equipment (when supplied) DO NOT MEGGER between A and N.

**6. INSTALLATION / SPECIAL CONDITIONS** (relevant only for products approved for such an installation):

**(a) products installed in high wind environments** must have suitable installation / fastening methods applied to ensure the product's mounting points are not damaged through, corrosion, constant vibration and or movement. Exterior products are designed with precise vertical aiming limits, which should not be exceeded. Any vertical floodlight aiming requirements should be specifically validated in writing with the relevant brand before consideration.

**(b) products installed in corrosive or salt laden environments** require special consideration and such; specific product selection, inclusive of suitable fastening methods and extensive ongoing maintenance of products installed in these environments require professional advice. It is essential that all aspects of the product selection, material specification and maintenance are specifically designed for such use and a cleaning program be adopted that maintains the design integrity of the product.

**(c) interior highbay products** must be vertically suspended. The method of suspension (chain etc) must be able to support at least 5 times the total weight of the fitting. Do not install where air movement will cause the fitting to swing about, causing wear and tear of attachment points. Luminaires should be installed where access for maintenance is practical and allows for maintenance to be completed in accordance with the manufacturer's recommendations.

**(d) interior (downlight) products** must be installed to ensure the lamp unit or the driver (if supplied) are not covered with any combustible materials or insulation; minimum spacings nominated for these materials are mandatory. Unless otherwise specified, minimum clearances are in accordance with AS/NZS 3000 requirements. The product is not designed for installation environments which restrict conventional airflow movements eg: enclosed boxes or concrete profiles. For dimming purposes please see the relevant product brand web site for the dimming compatibility chart. When mounting multiple fixtures to conductive structures, it is recommended that the structure is earthed. The mounting facilities provided for the transformer/driver (if any), need only be utilized if in the application of the product is required by AS/NZS 3000. IP ratings stated (if any) are from below the ceiling unless stated otherwise and the installation of the product must be in a manner that maintains the integrity of the relevant IP rating.

## **7. MAINTENANCE:**

**(a)** The supply must be isolated before opening or accessing the luminaire. Product maintenance is IMPORTANT and is critical to the products designed performance. The product is to be maintained in accordance with the manufacturer's instructions. For the latest product maintenance guides please go to relevant brand web site. Pierlite is not responsible for any product not maintained in accordance with the recommended procedure or intervals.

**(b) lamps (where provided):** The product is designed with the supplied LEDs/LAMP and it is strongly recommended that any LEDs/LAMP changes (if any) be made in accordance with the type, colour and brand supplied. For recommended LEDs/LAMP maintenance or operating guides (inclusive of recommended product switch cycles and mandatory run-in procedures for HID and Fluorescent lamps when used with dimming circuits), Pierlite recommends the application of the lamp manufacturer's operating guidelines, which can be found on manufacturer's website. Pierlite is not responsible for the product performance of alternative LEDs/LAMP used. As a member of FluroCycle, we encourage recycling of lamps and components.

**(c) battery (where provided):** The battery is designed with a rated average battery design life of 25,000 hours in standby mode. The battery is supported with a standard 3 year warranty; conditional of the product being maintained and operated in accordance with the manufacturer's guidelines and tested in accordance with AS/NZS 2293. For guidelines see product installation instructions or visit the relevant brand web site.

**(d) for products supplied with glass visors or covers,** do not operate the product with a damaged visor or cover; it is recommended the product be turned off, area surrounding the product vacated and the damaged glass replaced by a professional installer immediately.

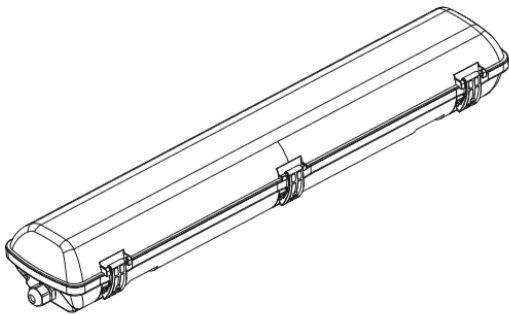
**8. WARRANTY INSTRUCTIONS:** For the purpose of warranty claims (if any) the following instructions apply:  
**Warranty components** - THE PRODUCT, (identified as the THE PRODUCT only). **Warranty period** - The above components are provided with a warranty of THREE (3) year/s or 15,000 hours of operation (which ever arrives first) against manufacturing defects or failure to perform to specifications for products installed by an authorised installer in accordance with the manufacturer's installation instructions and which have not been subject to incorrect operation or maintenance, unauthorised modification or damage arising from any intervening cause. **Warranty reference** - The warranty reference date commences from the date of purchase. **Warranty point of contact** - 0508 743 754 | www.pierlite.co.nz Pierlite New Zealand. **Warranty claim procedure** - For the purpose of making a claim the customer must: 1. Contact the "point of contact" above and upon provision of proof of purchase the customer will receive a goods return advice (GRA) number. 2. At the customer's expense, collect and return the goods to the "point of contact" with the issued GRA number. 3. Upon receipt of the goods, Pierlite will review the claim and if found to be accepted, Pierlite will return a replacement product to the customer to install at the customer's expense. Alternatively if the claim is rejected, the customer may request the return of the goods at their expense. **Consumer Contracts** - The benefits to the customer given by the Pierlite warranty are in addition to other rights and remedies of the customer if the goods are the subject of a Consumer Contract under the Consumer Law. In that event the following statement is required to be brought to the Consumer's attention:- *Our goods come with guarantees that cannot be excluded under the Consumer Law. You are entitled to a replacement or refund for a major failure and for compensation for any other reasonably foreseeable loss or damage. You are also entitled to have the goods repaired or replaced if the goods fail to be of acceptable quality and the failure does not amount to a major failure.* **Limitation of Liability** - if the goods are not purchased by the customer under a Consumer Contract within the Consumer Law then but not otherwise;- (a) the Company is not liable in tort for any loss or damage suffered by the customer or by any third party; and (b) in no circumstances is Pierlite liable to the customer or to any third party for any loss of profits, loss of anticipated savings, economic loss or interruption of business or for any indirect or consequential loss (Consequential Loss). **Terms of Sale** - these Warranty provisions are in substitution for any inconsistent provisions in the Pierlite Terms and Conditions of Sale in so far as they apply to the Warranty components.

## INSTALLATION INSTRUCTION

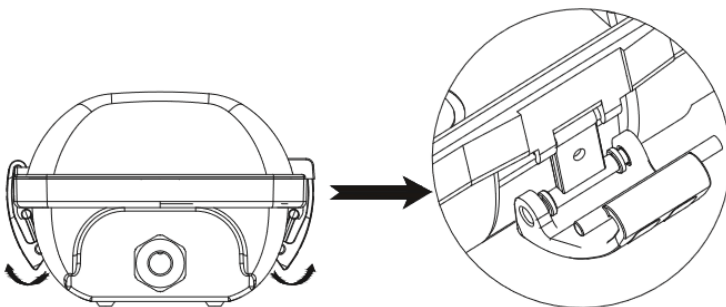
---

### Installation

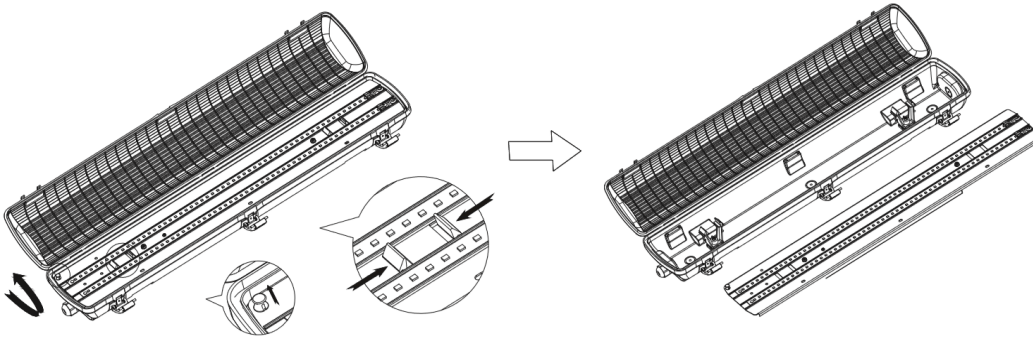
Step 1: Take the Weatherproof Batten and Accessories out from the packaging.



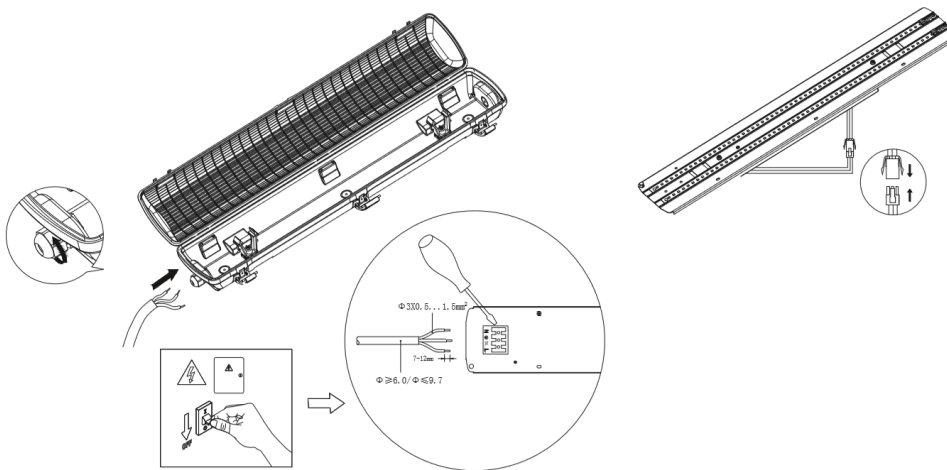
Step 2: Open the Clips



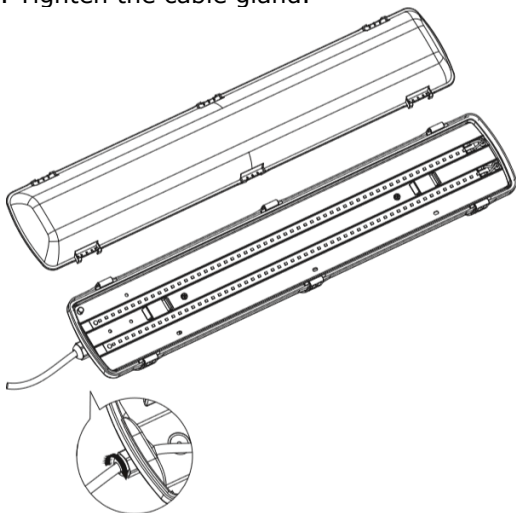
Step 3: Take the gear tray out.



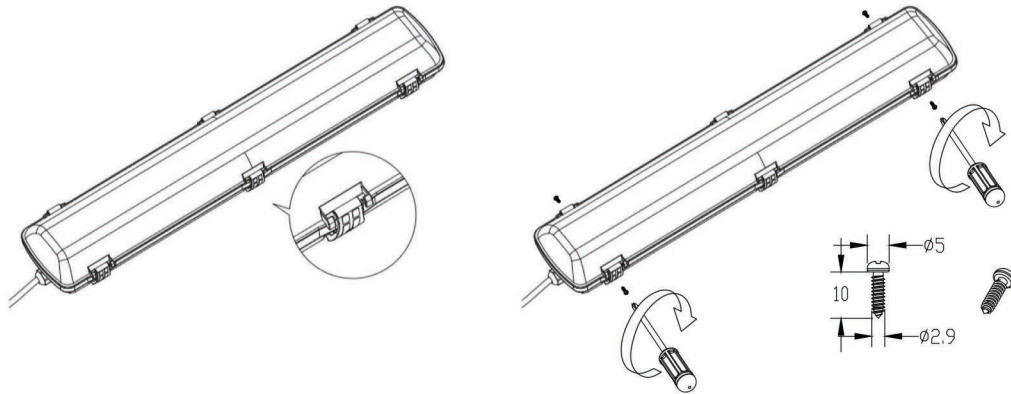
Step 4: Take the cable gland out and connect the AC cable.



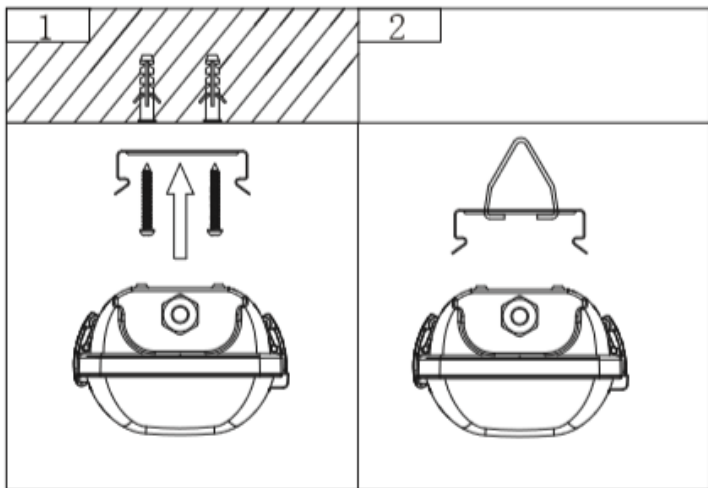
Step 5: Tighten the cable gland.



Step 6: Fasten the clips, use 4 screws provided in the accessory bag to lock the clips from 4 corners.



Step 7: Install the batten on the ceiling.



Product Code	L	W	H1	A	H2
BWPECO202G2 BWAECO202G2	655mm	130mm	92mm	420+/-10mm	99mm
BWPECO404G2 BWAECO404G2	1265mm	130mm	92mm	900+/-10mm	99mm
BWPECO505G2 BWAECO505G2 BWPECO505G290	1565mm	130mm	92mm	1000+/-10mm	99mm

