

**DOMAIN AREA LIGHT GEN2**



**PRODUCT DETAILS**

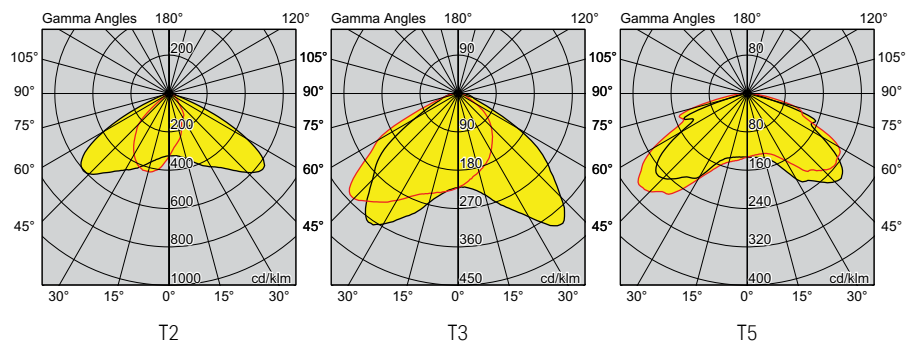
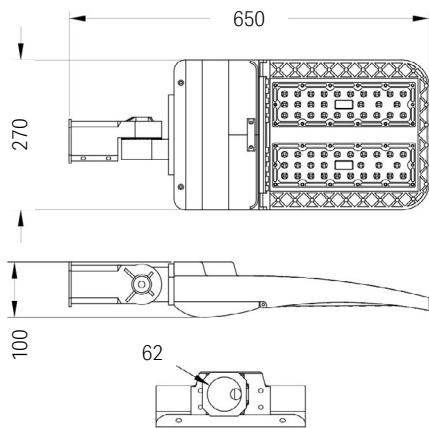
Rated life: L70 B50 54000hrs  
 LED: 4000K, CRI70, 7SDCM  
 Beam angle: T2/T3/T5  
 Driver: Integral, Non-Dim  
 Rating: IP65, IK06, Class I  
 Operating temperature: -10°C to +40°C  
 Housing: Die-cast aluminium  
 Finishing: Black RAL9017, Powder coated  
 Diffuser/Lens: Polycarbonate (PC), Frosted  
 Connection: Adjustable spigot allowing vertical and horizontal mount,  
 Spigot size 60mm OD, 80mm depth  
 Accessory (order separately): Surface mounted bracket  
 Warranty: 5 year

**MADE TO ORDER OPTIONS (LEAD TIME AND MOQ MAY APPLY)**

50W, Photoelectric (PE) cell

**APPLICATIONS**

Pole/Spigot mounted, External  
 Area lighting, Car parks, Laneways, Pedestrian areas, Parks, Gardens



CODE	DESCRIPTION	POWER <sup>~</sup>	LUMENS*	EFFICACY	WEIGHT
DOM50T2	DOMAIN AREA LIGHT GEN2 50W 4000K CRI70 T2 NON-DIM	53W	6942LM	131LM/W	5.0KG
DOM50T3	DOMAIN AREA LIGHT GEN2 50W 4000K CRI70 T3 NON-DIM	53W	6730LM	127LM/W	5.0KG
DOM100T2	DOMAIN AREA LIGHT GEN2 100W 4000K CRI70 T2 NON-DIM	98W	11676LM	119LM/W	6.0KG
DOM100T3	DOMAIN AREA LIGHT GEN2 100W 4000K CRI70 T3 NON-DIM	98W	10968LM	112LM/W	6.0KG
DOM100T5	DOMAIN AREA LIGHT GEN2 100W 4000K CRI70 T5 NON-DIM	98W	11594LM	118LM/W	6.0KG
DOM200T2	DOMAIN AREA LIGHT GEN2 200W 4000K CRI70 T2 NON-DIM	215W	25964LM	121LM/W	7.0KG
DOM200T3	DOMAIN AREA LIGHT GEN2 200W 4000K CRI70 T3 NON-DIM	215W	25171LM	117LM/W	7.0KG
DOM200T5	DOMAIN AREA LIGHT GEN2 200W 4000K CRI70 T5 NON-DIM	215W	25893LM	120LM/W	7.0KG

<sup>~</sup>Tested system powers from luminaire. <sup>\*</sup>Delivered lumens from luminaire, including thermal, electrical and optic losses. <sup>^</sup>Figures are interpolated / extrapolated from data at other versions.