

**EDGE AREA LIGHT**

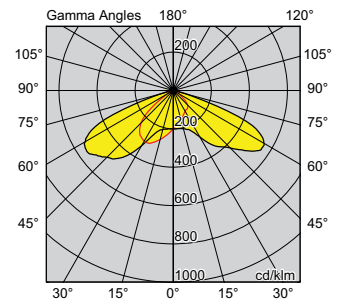
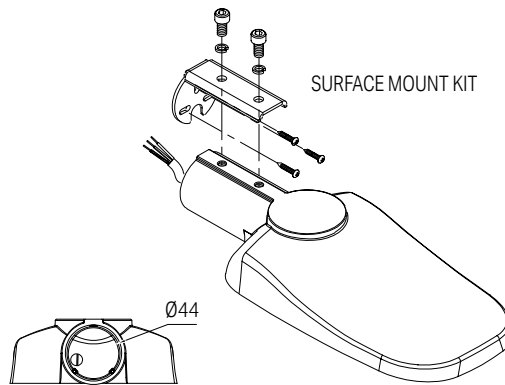
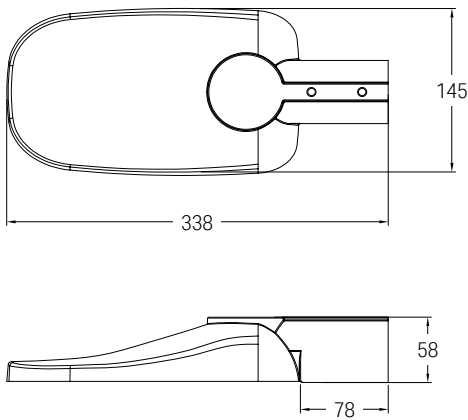
**PRODUCT DETAILS**

Rated life: L70 B50 50000hrs  
 LED: 4000K, CRI70, 7SDCM  
 Beam angle: T2 150°x75°  
 Driver: Integral, Non-Dim  
 Rating: IP66, IK08, Class I  
 Operating temperature: -20°C to +50°C  
 Housing: Die-cast LM6 aluminium (copper content <0.1%)  
 Finishing: Grey, Powder coated  
 Diffuser/Lens: Polycarbonate (PC), Clear  
 Connection: 4.0m Flex, Spigot size Ø44mm OD, 80mm depth  
 Accessory: Complete with surface mount kit  
 Warranty: 5 year



**APPLICATIONS**

Pole/Spigot mounted, Surface mounted (Wall), External Area lighting, Car parks, Laneways, Pedestrian areas, Parks, Gardens



CODE	DESCRIPTION	POWER <sup>~</sup>	LUMENS*	EFFICACY	WEIGHT
EDGE24WT2	EDGE AREA LIGHT 24W 4000K CRI70 T2 NON-DIM	24W	3042LM	127LM/W	1.3KG

<sup>~</sup>Tested system powers from luminaire. \*Delivered lumens from luminaire, including thermal, electrical and optic losses. ^Figures are interpolated / extrapolated from data at other versions.