

LUMEN SELECT™



MAYE LED PENDANT

PRODUCT DETAILS

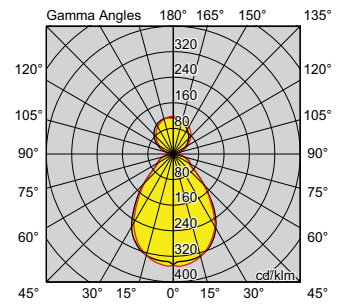
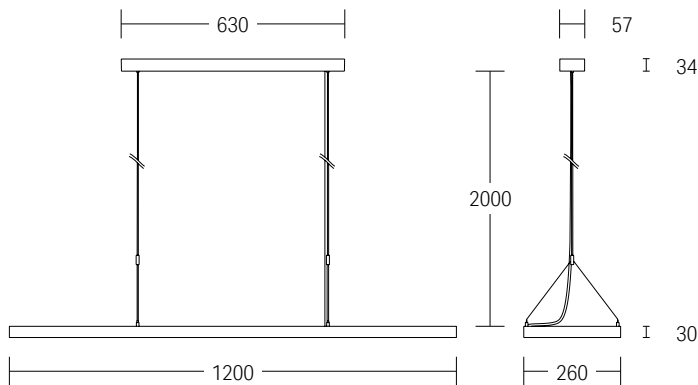
Rated life: L90 B10 50000hrs
 LED: 4000K, CRI80, 3 SDCM
 Beam angle: Symmetrical, 110° (up)/90°(down)
 Glare control: UGR<19 design
 Driver: TCI, Remote (located in the ceiling box), DALI Dimming, Flicker-Free design
 Rating: IP20, Class I
 Operating temperature: 0°C to +30°C
 Housing: Aluminium, 6063-T5
 Finishing: White RAL9003, Powder coating
 Diffuser/Lens: Polystyrene, Frosted, Prismatic
 Connection: Connect via ceiling box
 Accessory: Complete with 2m stainless steel suspension kit
 Warranty: 5 year

MADE TO ORDER OPTIONS (LEAD TIME AND MOQ MAY APPLY)

PUSH/1-10V dimming, CASAMBI

APPLICATIONS

Suspended (ceiling), Internal, Commercial, Offices, Boardrooms, Public working areas



CODE	DESCRIPTION	POWER [~]	LUMENS [*]	EFFICACY	WEIGHT
MAYE1234LS	LUMEN SELECT @700MA 39W 4000K CRI>80 DALI	39W	3900LM	100LM/W	6.37KG
	LUMEN SELECT @900MA 50W 4000K CRI>80 DALI	50W	5000LM	100LM/W	6.37KG
	LUMEN SELECT @1050MA 59W 4000K CRI>80 DALI	60W	5900LM	100LM/W	6.37KG

[~]Tested system powers from luminaire. ^{*}Delivered lumens from luminaire, including thermal, electrical and optic losses. [^]Figures are interpolated / extrapolated from data at other versions.