



**CEILING RECESSED FRAME ACCESSORY**

**PRODUCT DETAILS**

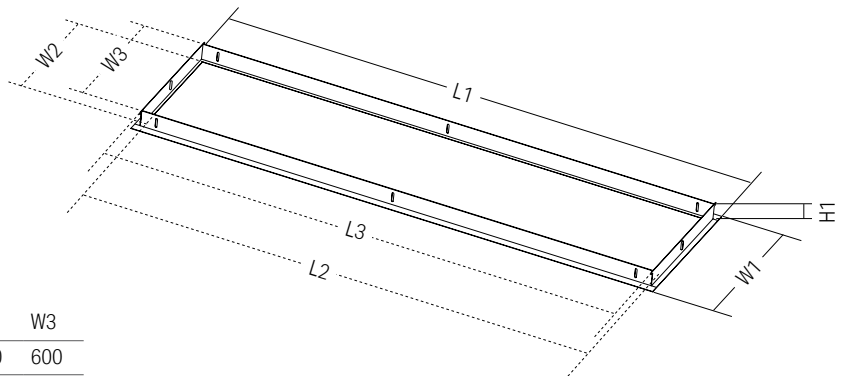
Size: 600×600, 1200×300, 1200×600  
 Housing: Steel  
 Finishing: White RAL9016, Powder coating  
 Installation: Suitable for plaster and wood ceilings with 5-36mm ceiling thickness

**APPLICATIONS**

Recessed (ceiling), Internal  
 Universal frame accessory for recessed modules



- L1: OVERALL LENGTH
- W1: OVERALL WIDTH
- H1: OVERALL HEIGHT
- L2: FRONT OPENING LENGTH
- W2: FRONT OPENING WIDTH
- L3: INNER LENGTH
- W3: INNER WIDTH



VERSION	L1	W1	H1	L2	W2	L3	W3
FRM/PM18WIDE	624	624	38	576	576	600	600
FRM/PM36W	1224	324	38	1176	276	1200	300
FRM/PM36WIDE	1224	624	38	1176	576	1200	600

CODE	DESCRIPTION	WEIGHT
FRM/PM18WIDE	UNIVERSAL CEILING RECESSED FRAME 600X600	1.6KG
FRM/PM36W	UNIVERSAL CEILING RECESSED FRAME 1200X300	1.6KG
FRM/PM36WIDE	UNIVERSAL CEILING RECESSED FRAME 1200X600	2.9KG