



ROMI PENDANT

PRODUCT DETAILS

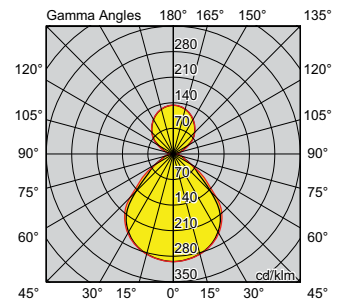
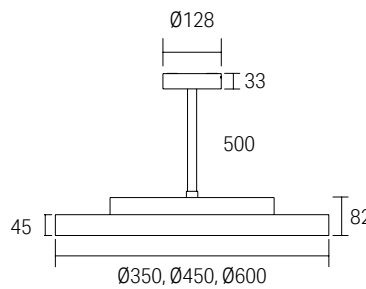
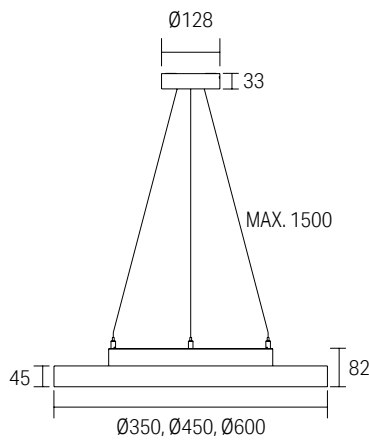
Size: Ø350mm, Ø450mm, Ø600mm
 Rated life: L80 B10 50000hrs
 LED: 4000K, CRI80, 3SDCM
 Beam angle: Symmetrical, Direct 95° & Indirect 100°
 Glare control: UGR19 design
 Driver: Integral, DALI dimming, Flicker free design
 Rating: IP20, Class I
 Operating temperature: 0°C to +40°C
 Housing: Aluminium
 Finishing: White RAL9003, Powder coated
 Diffuser/Lens: Acrylic (PMMA), Frosted, Prismatic
 Accessory: Complete with 1.5m Wire/0.5m Rod suspension kit
 Warranty*: 5 year

MADE TO ORDER OPTIONS (LEAD TIME AND MOQ MAY APPLY)

Ø900mm, Black/Silver finishing, Other lumen package, Non dimmable, Other dimming technology, Casambi, Tunable white

APPLICATIONS

Suspended (ceiling), Internal
 Offices, Schools, Commercial interiors



CODE	DESCRIPTION	POWER [~]	LUMENS [*]	EFFICACY	WEIGHT
ROMIWS350840DA	ROMI WIRE SUSPENDED 350 18W 4K DALI DIM	18W	1800LM	100LM/W	4.30KG
ROMIWS450840DA	ROMI WIRE SUSPENDED 450 31W 4K DALI DIM	31W	3500LM	113LM/W	5.30KG
ROMIWS600840DA	ROMI WIRE SUSPENDED 600 48W 4K DALI DIM	48W	5500LM	115LM/W	7.50KG
ROMIRS350840DA	ROMI ROD SUSPENDED 350 18W 4K DALI DIM	18W	1800LM	100LM/W	4.30KG
ROMIRS450840DA	ROMI ROD SUSPENDED 450 31W 4K DALI DIM	31W	3500LM	113LM/W	5.30KG
ROMIRS600840DA	ROMI ROD SUSPENDED 600 48W 4K DALI DIM	48W	5500LM	115LM/W	7.50KG

*Please refer to the warranty policy at www.pierlite.co.nz; "POWER" is tested system powers from luminaire; "LUMENS" is delivered lumens from luminaire, including thermal, electrical and optic losses; ^Figures are interpolated / extrapolated from data at other versions.