

SURFACE MOUNTED FRAME

PRODUCT DETAILS

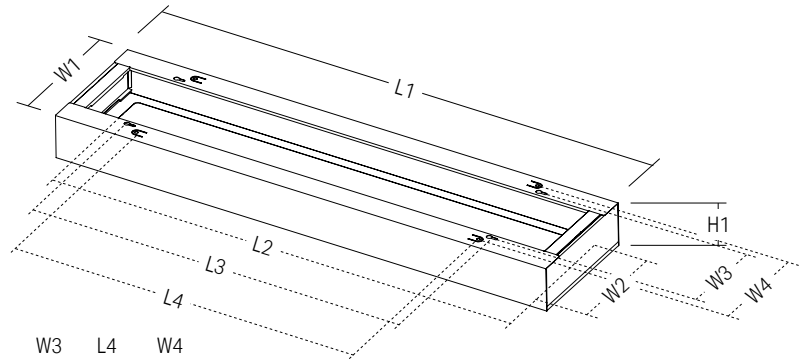
Size: 600×600mm, 1200×300mm, 1200×600mm
 Housing: Steel, 98mm internal depth, Screwless end cap with safety lanyard, Can be opened from both ends, Can be used for surface mounted and suspended
 Finishing: White RAL9003, Powder coated
 Warranty*: 5 year

APPLICATIONS

Surface mounted/Suspended (ceiling), Internal
 Universal frame accessory for recessed modules



- L1: OVERALL LENGTH
- W1: OVERALL WIDTH
- H1: OVERALL HEIGHT
- L2: FRONT OPENING LENGTH
- W2: FRONT OPENING WIDTH
- L3: SURFACE MOUNT HOLE DISTANCE
- W3: SURFACE MOUNT HOLE DISTANCE
- L4: SUSPENSION HOLE DISTANCE
- W4: SUSPENSION HOLE DISTANCE



VERSION	L1	W1	H1	L2	W2	L3	W3	L4	W4
SMFRM066	621	600	108	550	550	450	506	400	545
SMFRM123	1221	300	108	1150	250	900	206	850	245
SMFRM126	1221	600	108	1150	550	900	506	850	545

CODE	DESCRIPTION	POWER™	LUMENS*	EFFICACY	WEIGHT
SMFRM066	SURFACE MOUNTED FRAME UNIVERSAL 600X600	N/A	N/A	N/A	3.10KG
SMFRM123	SURFACE MOUNTED FRAME UNIVERSAL 1200X300	N/A	N/A	N/A	3.40KG
SMFRM126	SURFACE MOUNTED FRAME UNIVERSAL 1200X600	N/A	N/A	N/A	4.40KG

*Please refer to the warranty policy at www.pierlite.co.nz; "POWER" is tested system powers from luminaire; "LUMENS" is delivered lumens from luminaire, including thermal, electrical and optic losses; ^Figures are interpolated / extrapolated from data at other versions.