

## LED WALL PACK LIGHT BULKHEAD

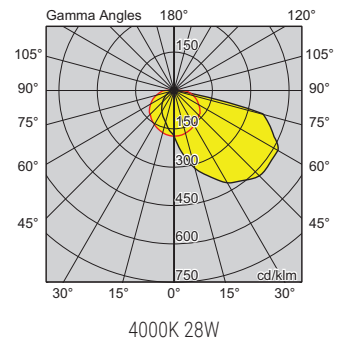
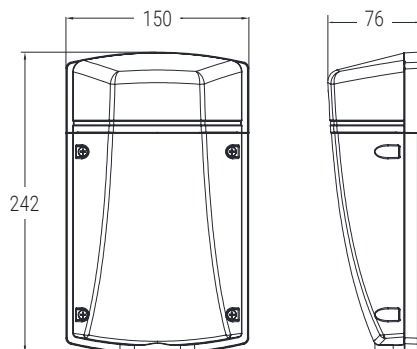


### PRODUCT DETAILS:

- Rated life: L70 50000hrs
- LED: CCT 4000K, CRI>80
- Beam angle: 120°
- Driver: Integral, Non-Dim
- Rating: IP65, IK08, Class I
- Operating temperature: -20° to 50° C
- Housing: Die-cast aluminium
- Colour: Black
- Diffuser: Polycarbonate, Frosted, Reeded
- Connection: Center cable entry from back, knockout for conduit or cable glands from bottom
- Warranty: 5 year

### APPLICATIONS:

Surface, Internal, External  
Commercial buildings, Public areas, Hotels, Garages, Schools, Hospitals



CODE	DESCRIPTION	POWER	LUMENS*	EFFICACY	WEIGHT
PLEDWP20W4K	20W 4000K CRI>80 NON-DIM	20W	2241lm	112lm/W	1.2kg
PLEDWP30W4K	30W 4000K CRI>80 NON-DIM	28W	2765lm	99lm/W	1.2kg

\*Delivered lumens from luminaire, including thermal, electrical and optic losses.