

VERSO BOLLARD

PRODUCT DETAILS

Size: Ø175x400mm, Ø175x700mm, Ø175x1000mm
 Rated life: L90 B50 50000hrs
 LED: 3000K/4000K, CRI80, 3SDCM
 Beam angle: Symmetrical/Asymmetrical
 Driver: Integral, Non-Dim
 Rating: IP65, IK10, Class II
 Operating temperature: -10°C to +40°C
 Housing: Die-cast/Extruded aluminium
 Finishing: Black, Polyester powder coated with special anti-corrosion treatment for coastal areas, Salt Spray testing (in compliance with ISO 9227 standard)
 Diffuser/Lens: Polycarbonate (PC), Clear
 Accessory (order separately): Ground fixing pit, Ground fixing plate
 Warranty: 5 year

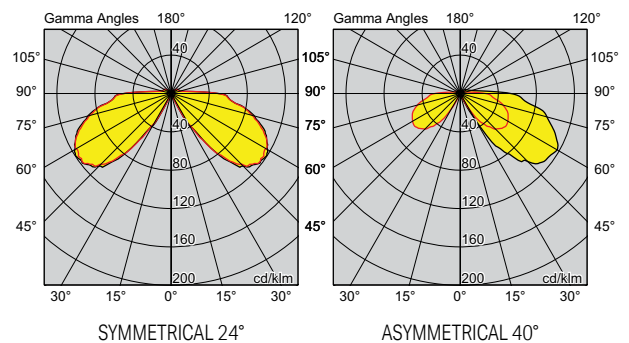
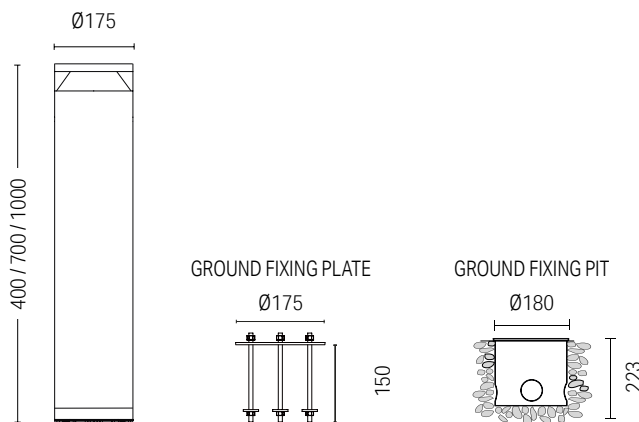


MADE TO ORDER OPTIONS (LEAD TIME AND MOQ MAY APPLY)

Ø90, White/Brown/Anthracite finishing

APPLICATIONS

Ground mount, External
 Pedestrian areas, Public or private gardens



CODE	DESCRIPTION	POWER [~]	LUMENS [*]	EFFICACY	WEIGHT
E5921-LBC	VERSO BOLLARD Ø175X400 17W 3000K CRI80 SYMMETRICAL NON-DIM BLACK	17W	1521LM	89LM/W	4.0KG
E5941-LBC	VERSO BOLLARD Ø175X400 17W 3000K CRI80 ASYMMETRICAL NON-DIM BLACK	17W	789LM	46LM/W	4.0KG
E5921-LBN	VERSO BOLLARD Ø175X400 17W 4000K CRI80 SYMMETRICAL NON-DIM BLACK	17W	1703LM	100LM/W	4.0KG
E5941-LBN	VERSO BOLLARD Ø175X400 17W 4000K CRI80 ASYMMETRICAL NON-DIM BLACK	17W	883LM	52LM/W	4.0KG
E5926-LBC	VERSO BOLLARD Ø175X700 17W 3000K CRI80 SYMMETRICAL NON-DIM BLACK	17W	1521LM	89LM/W	6.0KG
E5946-LBC	VERSO BOLLARD Ø175X700 17W 3000K CRI80 ASYMMETRICAL NON-DIM BLACK	17W	789LM	46LM/W	6.0KG
E5926-LBN	VERSO BOLLARD Ø175X700 17W 4000K CRI80 SYMMETRICAL NON-DIM BLACK	17W	1703LM	100LM/W	6.0KG
E5946-LBN	VERSO BOLLARD Ø175X700 17W 4000K CRI80 ASYMMETRICAL NON-DIM BLACK	17W	883LM	52LM/W	6.0KG
E5931-LBC	VERSO BOLLARD Ø175X1000 17W 3000K CRI80 SYMMETRICAL NON-DIM BLACK	17W	1521LM	89LM/W	8.0KG
E5951-LBC	VERSO BOLLARD Ø175X1000 17W 3000K CRI80 ASYMMETRICAL NON-DIM BLACK	17W	789LM	46LM/W	8.0KG
E5931-LBN	VERSO BOLLARD Ø175X1000 17W 4000K CRI80 SYMMETRICAL NON-DIM BLACK	17W	1703LM	100LM/W	8.0KG
E5951-LBN	VERSO BOLLARD Ø175X1000 17W 4000K CRI80 ASYMMETRICAL NON-DIM BLACK	17W	883LM	52LM/W	8.0KG

[~]Tested system powers from luminaire. ^{*}Delivered lumens from luminaire, including thermal, electrical and optic losses. [^]Figures are interpolated / extrapolated from data at other versions.