

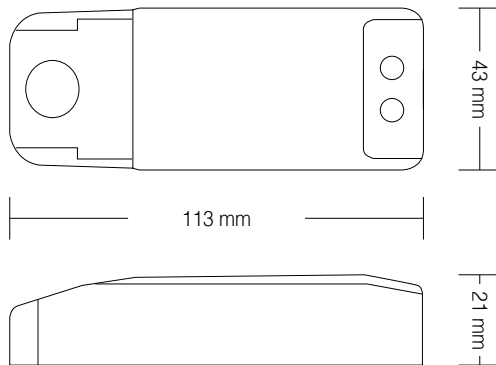
SYLTRAN-TRANSFORMER

Electronic transformer for 12V AC LED or halogen lamps.



FEATURES:

- 3 Year Warranty
- 50,000 hours average rated life
- Large terminals for easy connection
- Overload and overheat protection
- High efficiency ($\geq 95\%$)
- Dimmable on leading and trailing edge dimmers
- Lamp wattage: 0-70VA
- Primary input voltage: 220-240V
- Frequency: 50/60Hz
- Primary input current: 290mA
- Secondary output voltage: 11.5V
- Primary input terminal: 2-pole, screw terminal Dia. 5.2mm
- Secondary output terminal: 2-pole, screw terminal Dia. 3.2mm



PRODUCT CODE	VERSION	VOLTAGE	WATTAGE	DIM (mm)
SYLTRAN70	ELECTRONIC TRANSFORMER FOR 12V AC LED OR HALOGEN LAMPS	11.5V	0-70VA	113x43x21